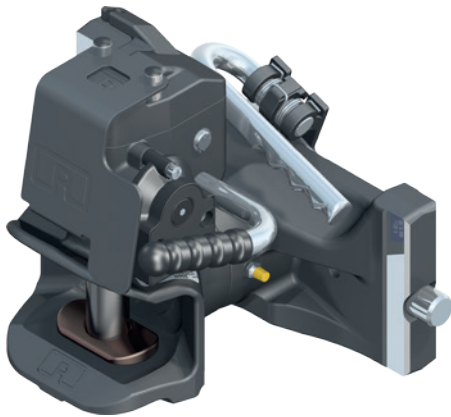


## RO\*855D

## Anhängerkupplung mit Sicherheitssensor / Towing hitch with Safety sensor

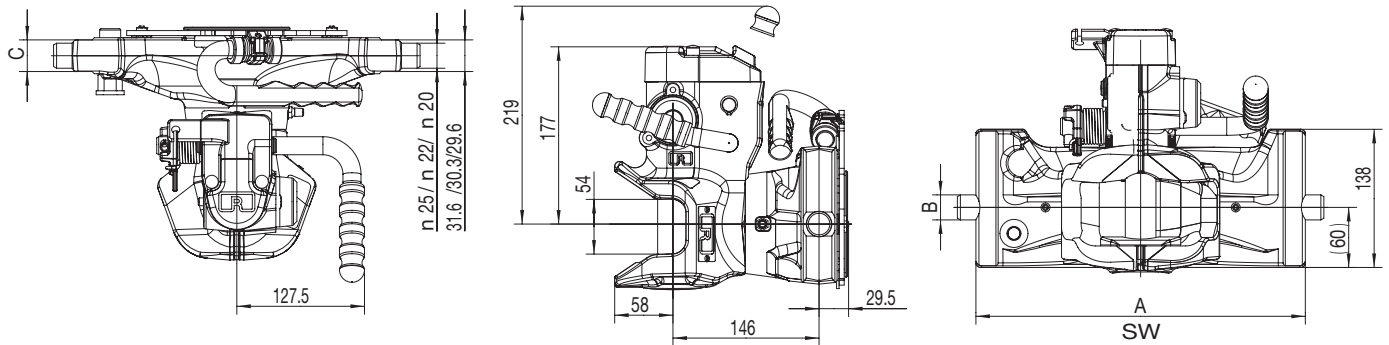


## Vorteile auf einen Blick / Advantages at a glance

- DE**
- zylindrischer Kupplungsbolzen 30,6 mm
  - automatische Anhängerkupplung mit Sicherheitssensor
  - leichtgängige Höhenverstellung
  - Fernbedienung Standard
- EN**
- Cylindrical towing hitch pin  $\varnothing$  30,6 mm
  - Automatic towing hitch with safety sensor
  - Smooth-running height adjustment
  - Remote control is standard

## Kuppelbare Zugösen / Detachable towing eyes

DIN 11026 40 mm, DIN 11043 40 mm, DIN 74054 40 mm



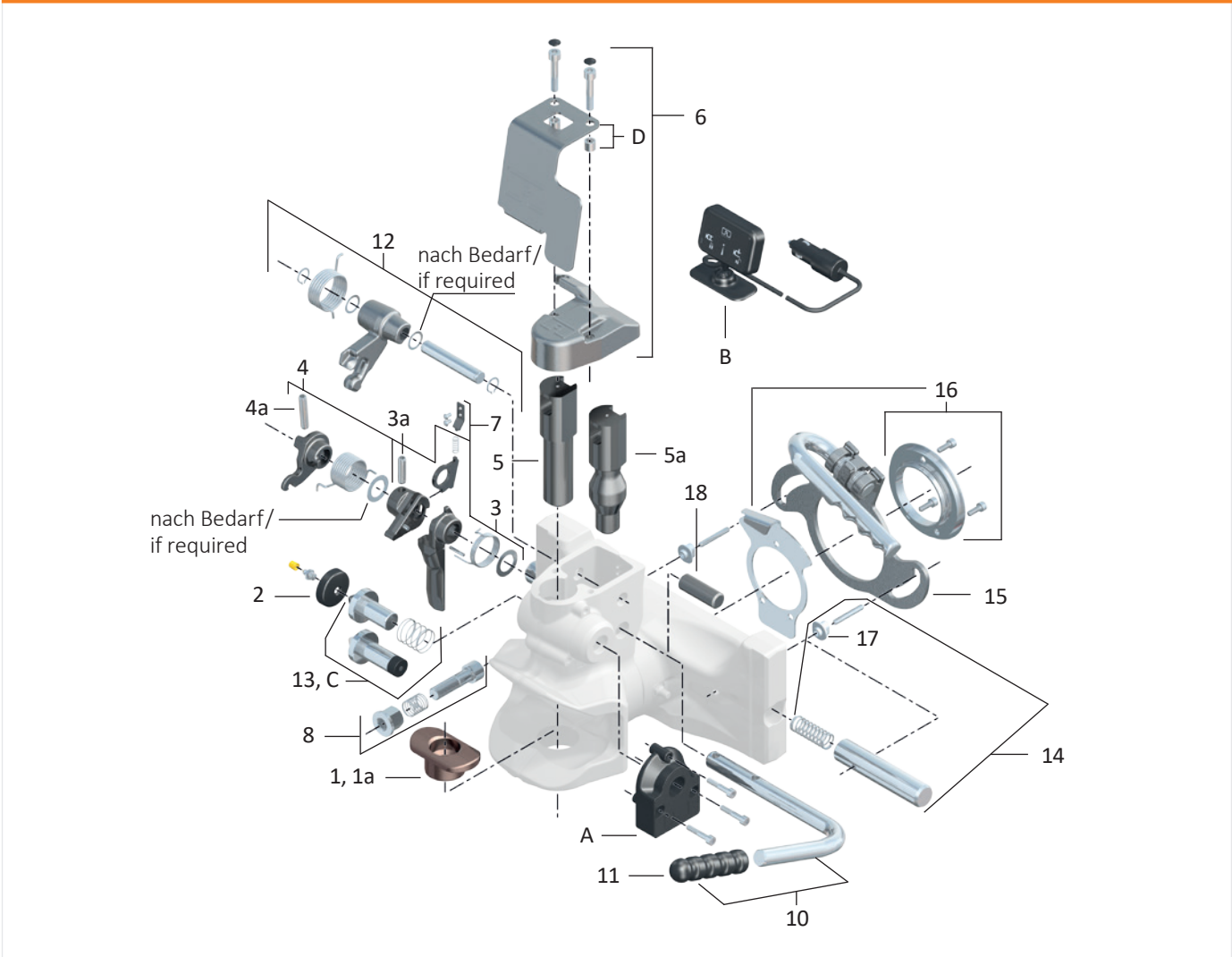
## Auswahltabelle / Selection table

| Artikel-Nr. /<br>Order No.                 | Spurweite / Track width<br>(mm) | S<br>(t) | D<br>(kN) | EGVO<br>(e1) |
|--|---------------------------------|----------|-----------|--------------|
| mit Sicherheitssensor / with Safety sensor |                                 |          |           |              |
| RO855D10D05                                | 310/22/30                       | 2,0      | 120,0     | ✓            |
| RO855D12D05                                | 312/22/30                       | 2,0      | 84,3      | ✓            |
| RO855D12D95 <sup>1</sup>                   | 312/22/31                       | 2,0      | 84,3      | ✓            |
| RO855D23D05                                | 323/22/30                       | 2,0      | 120,0     | ✓            |
| RO855D30D05                                | 330/25/32                       | 2,0      | 120,0     | ✓            |
| RO855D30D95 <sup>1</sup>                   | 330/25/33                       | 2,0      | 120,0     | ✓            |
| RO855D30D45 <sup>2</sup>                   | 330/25/32                       | 2,0      | 120,0     | ✓            |
| RO855D36D05                                | 336/22/30                       | 2,0      | 120,0     | ✓            |
| RO855D92D0C                                | 390/25/32                       | 2,5      | 120,0     | ✓            |
| RO855D92D9C <sup>1</sup>                   | 390/25/33                       | 2,5      | 120,0     | ✓            |
| RO855D92D4C <sup>2</sup>                   | 390/25/32                       | 2,5      | 120,0     | ✓            |


<sup>1</sup> AGCO grau/AGCO grey<sup>2</sup> John Deere grün/John Deere green


# RO\*855D / RO\*865D

## Ersatzteile / Spare parts



## Auswahltabelle / Selection table

| Pos. / Item | Benennung / Description   | Spurweite / Track width (mm) |  | Bestell-Nr. / Order No. |
|-------------|---|------------------------------|---|-------------------------|
| 1           | Buchse unten für zylindrischen Bolzen 30,6 mm/lower bush for cylindrical towing hitch pin 30,6 mm   |                              | 1   | ROE75L188               |
| 1a          | Buchse unten für balligen Bolzen 38 mm/zylindrischen Bolzen 25mm/lower bush for ball-shaped towing hitch pin 38 mm/cylindrical towing hitch pin 25 mm |                              | 1   | ROE70972                |
| 2           | Verschlussdeckel komplett/cap complete  |                              | 1   | ROE70513                |
| 3           | Lösehebel Satz/release lever set  |                              | 1   | ROE70514                |
| 4           | Zughebel Satz/tension lever set   |                              | 1   | ROE70515                |
| 5           | Kupplungsbolzen zylindrisch (30,6 mm/855)/hitch pin cylindric (30,6 mm/855)   |                              | 1   | ROE75L186               |
| 5a          | Kupplungsbolzen ballig (38 mm/865)/hitch pin crown (38 mm/865)  |                              | 1   | ROE70973                |
| 6           | Abstützdeckel/support cap   |                              | 1   | ROE75L117               |
| 7           | Federhalter/spring holder   |                              | 1   | ROE70523                |
| 8           | Durchrutschsperre komplett/antislip lock complete   |                              | 1   | ROE70910                |
| 10          | Handhebel Standard inkl. Pos. 11, 3a, 4a/hand lever standard incl. Item 11, 3a, 4a  |                              | 1   | ROE75L190               |
| 11          | Griffkappe/handle cap   |                              | 1   | ROE75L191               |
| 12          | Aufwerfhebel komplett/throw-up lever complete   |                              | 1   | ROE75L119               |
| 13          | Sicherung komplett/safety system  |                              | 1   | ROE75L116               |
| 14          | Arretierbolzen komplett/locking bolt complete   | 310                          | 1   | ROE75L179               |
|             | Arretierbolzen komplett/locking bolt complete   | 312                          | 1   | ROE75L180               |
|             | Arretierbolzen komplett/locking bolt complete   | 323                          | 1   | ROE75L181               |
|             | Arretierbolzen komplett/locking bolt complete   | 330                          | 1   | ROE75L183               |
|             | Arretierbolzen komplett/locking bolt complete   | 336                          | 1   | ROE75L182               |

| Pos. / Item | Benennung / Description   | Spurweite / Track width<br>(mm) |  | Bestell-Nr. / Order No. |
|-------------|---|---------------------------------|---|-------------------------|
|             | Arretierbolzen komplett/locking bolt complete                         | 390                             | 1   | ROE75L184               |
|             | Arretierbolzen komplett/locking bolt complete                         | 330 (CBM-System)                | 1   | ROE75L185               |
| 15          | Kurvenscheibe/cam plate   |                                 | 1   | ROE75L228               |
| 16          | Befestigungssatz Kurvenscheibe/set of cam plate fastenings            |                                 | 1   | ROE75L227               |
| 17          | Gleitstein/sliding blocks   |                                 | 2   | ROE75L187               |
| 18          | Montagehilfsbolzen/mounting pin                                       |                                 | 1   | ROE75L154               |
| A+B+C+D     | Nachrüstsatz Sicherheitssensor komplett/retrofit kit safety sensor    |                                 | 1   | ROE75L160               |
| A           | Sensor/Sender inkl. Befestigung/sensor/transmitter incl. mounting kit |                                 | 1   | ROE75L161               |
| B           | Display/Empfänger/display/receiver                                    |                                 | 1   | ROE75L167               |
| C           | Sicherungsbolzen für Sensorbetrieb/safety bolt for sensor operation   |                                 | 1   | ROE75L168               |
| D           | Anfahrerschutz inkl. 2 Distanzhülsen/impact protection with 2 spacers |                                 | 1   | ROE75L162               |

